

SonicWALL® E-CLASS Network Security Appliance



NETWORK SECURITY

SonicWALL E-Class NSA for Enterprise-class Deployments

- **Multi-core Performance Architecture**
- **Unified Threat Management Security Platform**
- **Deployment Flexibility**
- **Application Firewall and Custom Control**
- **Dynamic Protection**

Protection and Performance

The SonicWALL® E-Class Network Security Appliance (NSA) Series is the industry's first multi-core Unified Threat Management (UTM) solution, delivering enterprise-class deep packet inspection without significantly impacting network throughput. Combining a powerful deep packet inspection firewall with multiple layers of protection technology and a suite of high availability features, the E-Class NSA E7500, E6500 and E5500 appliances offer a broad range of scalable solutions for enterprise deployments in distributed environments, campus networks and data centers.

SonicWALL E-Class NSAs are engineered to be the most scalable, reliable and highest performing multifunction threat appliances in their class. The NSA Series prevents against a vast spectrum of network attacks with unprecedented speed. This speed of protection is enabled through the NSA multi-core architecture, a parallel performance design for ultra-high-speed threat protection and deployment scalability. Taking protection to new levels of control is Application Firewall, a set of customizable protection tools that empowers administrators with precise control over network traffic. Operational reliability is delivered through a high availability suite of features at the hardware and system level to optimize uptime and improve security coverage.

The NSA Series is a key part of SonicWALL's portfolio of enterprise-class products and services for network security, e-mail protection and secure remote access. All E-Class solutions offer outstanding protection and performance while delivering elegant simplicity and unparalleled value. SonicWALL's E-Class delivers the high performance protection required by enterprise-class networks in a solution that is engineered to drive the cost and complexity out of running a secure network.

Features and Benefits

Multi-core Performance Architecture. At the heart of the E-Class NSA is the SonicWALL multi-core performance architecture designed to provide breakthrough deep packet inspection and granular network intelligence over real-time network traffic without impacting network performance. The SonicWALL E-Class NSA can effectively deliver ultra-high-speed performance through the concurrent use of specialized security processing cores. Using the processing power of multiple cores in unison dramatically increases throughput and simultaneous inspection capabilities while lowering overhead impact.

Unified Threat Management Security Platform. The E-Class NSA Series delivers a highly redundant security and connectivity platform that is purpose-built for high-speed internal and external network protection, consolidating and extending security functionality throughout the network. E-Class NSAs integrate real-time gateway anti-virus, spyware and intrusion prevention to secure networks and VPNs against an extensive array of dynamic threats including worms, Trojans, viruses, malware and software vulnerabilities.

Deployment Flexibility. Designed for highly redundant operations, the E-Class NSA appliances are an ideal solution for wired or wireless applications requiring

high-speed access and heavy workgroup segmentation. With integrated support for standards-based VoIP, virtual local area networks (VLANs), enterprise-class routing and quality of service (QoS) E-Class NSAs increase deployment flexibility and enhance productivity.

Application Firewall and Custom Control. Application Firewall is a configurable set of granular, application-specific policies that allow custom access control per network user, application, schedule or IP subnet level. These policies can restrict transfer of specific files and documents, scan e-mail attachments using user-configurable criteria, automate bandwidth, control inspect internal and external Web access, and support custom signatures.

Dynamic Protection. Dynamic threat protection, content filtering and application control services are continually updated on a 24x7 basis to maximize security and decrease cost. IT productivity is increased by eliminating ad-hoc patch management for servers and workstations, automating the application of new protection signatures and removing the necessity to manually update security policies.



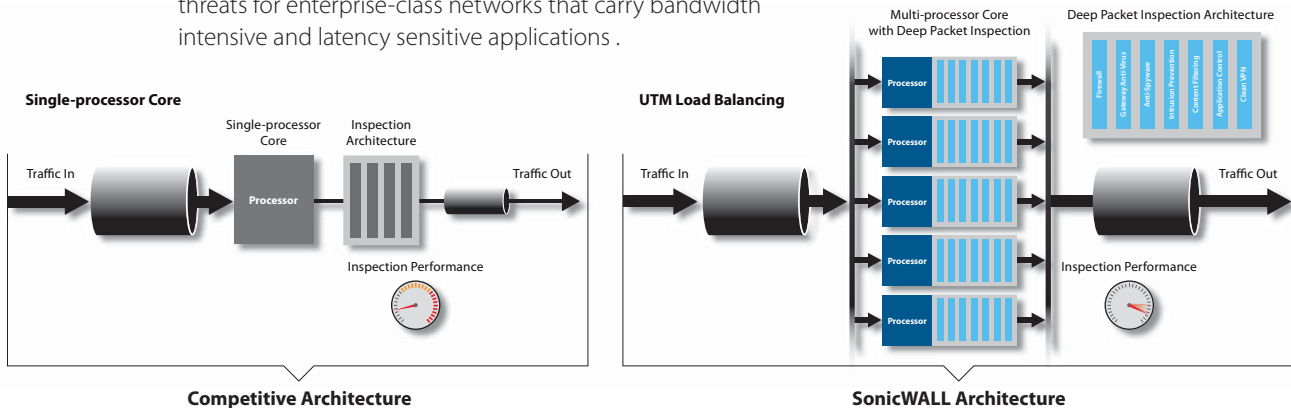
PROTECTION AT THE SPEED OF BUSINESS™

E-Class Network Security Appliance Architecture

Comprehensive, Integrated Best-of-Breed Threat Protection

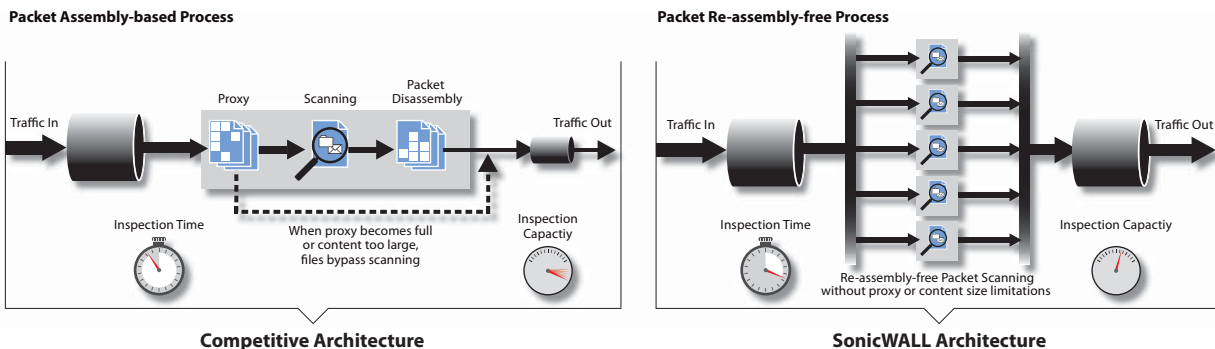
Unified Threat Management Load Balancing

Single processor designs that include multiple protection technologies are severely limited by a single centralized processor. SonicWALL UTM load balancing integrates a high-speed deep packet inspection and traffic classification engine onto multiple security cores inspecting applications, files and content-based traffic in real time without significantly impacting performance or scalability. This enables the scanning and control of threats for enterprise-class networks that carry bandwidth intensive and latency sensitive applications .

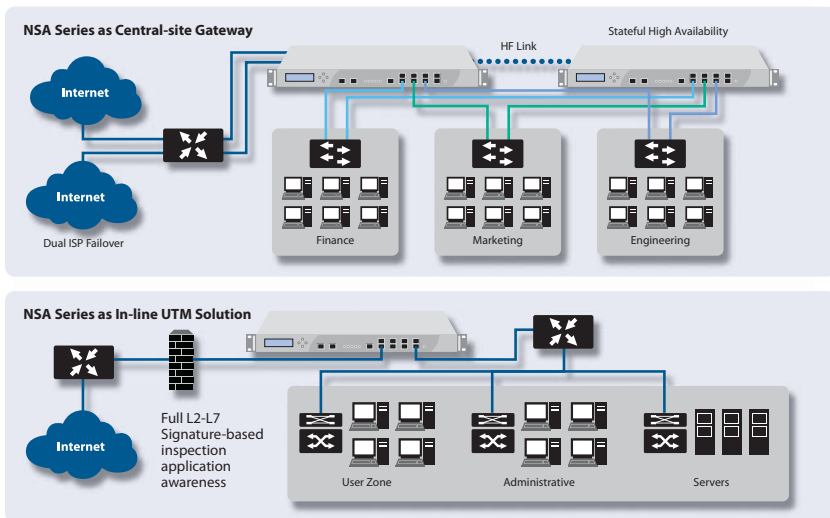


Unified Threat Management Engine

The SonicWALL E-Class NSA UTM engine delivers the first scalable application layer inspection engine that can analyze files and content of any size in real time without reassembling packets or application content. This means of inspection is designed specifically for real-time applications and latency sensitive traffic, delivering complete control and inspection without having to proxy connections. Using this engine design, high-speed network traffic is inspected more efficiently and reliably for an improved end user experience.



Flexible, Customizable Deployment Options



Central-site Gateway

Deployed as a Central-site Gateway the NSA Series provides a high-speed scalable platform, providing network segmentation and security using VLAN's and security zones. Redundancy features include WAN Load balancing, ISP fail-over and stateful high availability.

Layer 2 Bridge Mode

Layer 2 bridge mode provides inline intrusion detection and prevention, adds an additional level of zone-based security to network segments or business units and simplifies layered security. Additionally, this enables administrators to limit access to sensitive data by specific business unit or database server.

Multi-layer Protection

Remote Site Protection

The E-Class NSA Series incorporates ultra-high performance Virtual Private Networks (VPNs) that easily scales to thousands of end points and branch offices. Innovative SonicWALL Clean VPN™ technology prevents vulnerabilities and malicious code by decontaminating traffic before it enters the corporate network, in real time and without user intervention.

Gateway Protection

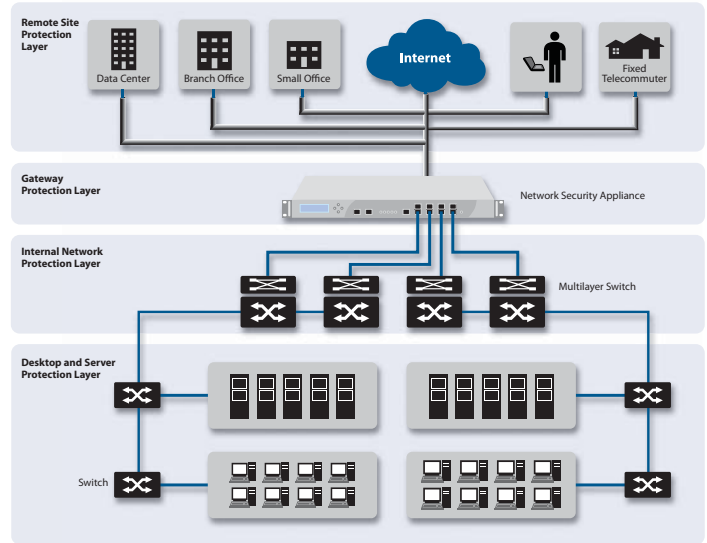
Easily integrated into existing environments, E-Class NSAs centralize gateway-level protection across all incoming and outgoing applications, files and content-based traffic, while controlling bandwidth and applications, without significantly impacting performance or scalability.

Internal Protection

The highly-configurable E-Class NSA Series extends protection over the internal network by inspecting traffic over LAN interfaces and VLANs. Specifically designed for LAN network threats, the E-Class NSA Series monitors and responds to internally spreading malware, denial of service attacks, exploited software vulnerabilities, confidential documents, policy violations and network misuse.

Desktop and Server Protection

In addition to network and gateway based protection, the E-Class NSA Series provides additional end point protection for workstations and servers through an enforced anti-virus and anti-spyware client with advanced heuristics. This enforced client solution delivers network access control by restricting Internet access on end points that do not have the latest signature or engine updates. When enforcement is enabled on the appliance, each end point is directed to download the enforced anti-virus



and anti-spyware client without any administrator intervention, automating the deployment of end point security.

Centralized Policy Management

The SonicWALL Global Management System (GMS) provides flexible, powerful and intuitive tools to centrally manage E-Class NSA configurations across distributed enterprises, view real-time monitoring metrics and integrate policy and compliance reporting.



Subscription Services

Each E-Class Network Security Appliance supports an expanding array of dynamic subscription-based services and software designed to integrate seamlessly into any network.



Gateway Anti-Virus, Anti-Spyware and Intrusion Prevention Service delivers intelligent, real-time network security protection against sophisticated application layer and content-based attacks including viruses, spyware, worms, Trojans and software vulnerabilities such as buffer overflows.



Enforced Client and Server Anti-Virus and Anti-Spyware delivers comprehensive virus and spyware protection for laptops, desktops and servers using a single integrated client and offers automated network-wide enforcement of anti-virus and anti-spyware policies, definitions and software updates.



Content Filtering Service enforces protection and productivity policies by employing an innovative rating architecture, utilizing a dynamic database to block over 56 categories of objectionable Web content.



ViewPoint is an easy-to-use Web-based reporting tool that provides instant insight into network performance and security. Delivered through a series of historical reports using dashboards and detailed summaries, ViewPoint helps organizations of all sizes track Internet usage, fulfill regulatory compliance requirements and monitor the security status of their network.



SonicWALL E-Class Support 24x7 Designed specifically for E-Class customers, E-Class Support 24x7 delivers enterprise-class support features and quality of service. E-Class Support 24x7 includes direct access to a team of highly-trained senior support engineers for telephone and Web-based technical support on a 24x7x365 basis, software and firmware updates and upgrades, Advance Exchange hardware replacement, access to electronic support tools and moderated discussion groups, and more.

Specifications

E-Class NSA Series SKUs



SonicWALL NSA E7500
01-SSC-7000
SonicWALL NSA E7500 TotalSecure (1-year)
01-SSC-7027



SonicWALL NSA E6500
01-SSC-7004
SonicWALL NSA E6500 TotalSecure (1-year)
01-SSC-7028



SonicWALL NSA E5500
01-SSC-7008
SonicWALL NSA E5500 TotalSecure (1-year)
01-SSC-7029

SonicWALL NSA E7500 Security Services
SonicWALL Content Filtering Service Premium Business Edition for NSA E7500 (1-year)
01-SSC-7329
SonicWALL GAV / IPS / Application Firewall for NSA E7500 (1-year)
01-SSC-6130
SonicWALL Comprehensive Gateway Security Suite for NSA E7500 (1-year)
01-SSC-9220
SonicWALL E-Class Support 24x7 for NSA E7500 (1-year)
01-SSC-7254

SonicWALL NSA E6500 Security Services
SonicWALL Content Filtering Service Premium Business Edition for NSA E6500 (1-year)
01-SSC-7330
SonicWALL GAV / IPS / Application Firewall for NSA E6500 (1-year)
01-SSC-6131
SonicWALL Comprehensive Gateway Security Suite for NSA E6500 (1-year)
01-SSC-9221
SonicWALL E-Class Support 24x7 for NSA E6500 (1-year)
01-SSC-7257

SonicWALL NSA E5500 Security Services
SonicWALL Content Filtering Service Premium Business Edition for NSA E5500 (1-year)
01-SSC-7331
SonicWALL GAV / IPS / Application Firewall for NSA E5500 (1-year)
01-SSC-6132
SonicWALL Comprehensive Gateway Security Suite for NSA E5500 (1-year)
01-SSC-9222
SonicWALL E-Class Support 24x7 for NSA E5500 (1-year)
01-SSC-7260

Multi-year SKUs are available, please visit www.sonicwall.com.

Certifications



Common Criteria
EAL4+ CERTIFIED



| | NSA E5500 | NSA E6500 | NSA E7500 |
|--|--|--|---|
| Firewall | | | |
| SonicOS Version | SonicOS Enhanced 5.0 (or higher) | | |
| Stateful Throughput¹ | 3.9 Gbps | 5 Gbps | 5.6 Gbps |
| GAV Performance² | 1.0 Gbps | 1.69 Gbps | 1.84 Gbps |
| IPS Performance² | 2.0 Gbps | 2.3 Gbps | 2.58 Gbps |
| UTM Performance² | 850 Mbps | 1.59 Gbps | 1.7 Gbps |
| Maximum Connections³ | 600,000 | 750,000 | 1,000,000 |
| New Connections/Sec | 15,000 | 20,000 | 25,000 |
| Nodes Supported | Unrestricted | | |
| Denial of Service Attack Prevention | 22 classes of DoS, DDoS and scanning attacks | | |
| SonicPoints Supported (Maximum) | 96 | 128 | 128 |
| VPN | | | |
| 3DES/AES Throughput¹ | 1.7 Gbps | 2.7 Gbps | 3 Gbps |
| Site-to-Site VPN Tunnels | 4,000 | 6,000 | 10,000 |
| Bundled Global VPN Client Licenses (Maximum) | 2,000 (4,000) | 2,000 (6,000) | 2,000 (10,000) |
| Bundled SSL VPN Licenses (Maximum) | 2 (50) | 2 (50) | 2 (50) |
| Encryption / Authentication | DES, 3DES, AES (128, 192, 256-bit)/MD5, SHA-1 | | |
| Key Exchange | IKE, IKEv2, Manual Key, PKI (X.509) | | |
| L2TP/IPSec | Yes | | |
| Certificate Support | Verisign, Thawte, Cybertrust, RSA Keon, Entrust, and Microsoft CA for SonicWALLto-SonicWALL VPN | | |
| Redundant VPN Gateway | Yes | | |
| Global VPN Client Platforms Supported | Microsoft® Windows 2000, Windows XP, Microsoft® Vista 32-bit | | |
| SSL VPN Platforms Supported | Microsoft® Windows 2000 / XP / Vista 32/64-bit, Mac 10.4+, Linux FC 3+ / Ubuntu 7+ / OpenSUSE | | |
| Deep Packet Inspection Security Services | | | |
| Deep Packet Inspection Signature Service | Comprehensive signature database. Peer-to-peer and instant messaging control and signature updates through Distributed Enforcement Architecture | | |
| Content Filtering Service (CFS) Premium Edition | HTTP URL, HTTPS IP, keyword and content scanning ActiveX, Java Applet, and Cookie blocking | | |
| Gateway-enforced Client Anti-Virus and Anti-Spyware | HTTP/S, SMTP, POP3, IMAP and FTP; Enforced McAfee™ Clients E-mail attachment blocking | | |
| Application Firewall | Provides application level enforcement and bandwidth control, regulate Web traffic, e-mail, e-mail attaches and file transfers, scan and restrict documents and files for key words and phrase | | |
| Networking | | | |
| IP Address Assignment | Static, (DHCP, PPPoE, L2TP and PPTP client), Internal DHCP server, DHCP relay | | |
| NAT Modes | 1:1, 1:many, many:1, many:many, flexible NAT (overlapping IPs), PAT, transparent mode | | |
| VLAN Interfaces (802.1q) | 256 | 256 | 512 |
| Routing | OSPF, RIPv1/v2, static routes, policy-based routing, Multicast | | |
| QoS | Bandwidth priority, maximum bandwidth, guaranteed bandwidth, DSCP marking, 802.1p | | |
| Authentication | XAUTH/RADIUS, Active Directory, SSO, LDAP, internal user database | | |
| User Database | 1,500 users | 2,500 users | 2,500 users |
| VoIP | Full H.323v1-5, SIP, gatekeeper support, outbound bandwidth management, VoIP over WLAN, deep inspection security, full interoperability with most VoIP gateway and communications devices | | |
| System | | | |
| Management and Monitoring | Web GUI (HTTP, HTTPS), Command Line (SSH, Console), SNMP v2: Global management with SonicWALL GMS | | |
| Logging and Reporting | ViewPoint®, Local Log, Syslog | | |
| High Availability | Active/Passive with State Sync | | |
| Load Balancing | Yes, (Outgoing with percent-based, round robin and spill-over) (Incoming with round robin, random distribution, sticky IP, block remap and symmetrical remap) | | |
| Standards | TCP/IP, UDP, ICMP, HTTP, HTTPS, IPSec, ISAKMP/IKE, SNMP, DHCP, PPPoE, L2TP, PPTP, RADIUS | | |
| Wireless Standards | 802.11 a/b/g, WEP, WPA, TKIP, 802.1x, EAP-PEAP, EAP-TTLS | | |
| Hardware | | | |
| Interfaces | (8) 10/100/1000 Copper Gigabit Ports, 1Gbe HA Interface, 1 Console Interface, 2 USB (Future Use) | (8) 10/100/1000 Copper Gigabit Ports, 1Gbe HA Interface, 1 Console Interface, 2 USB (Future Use) | 1 Console Interface, 4 Gigabit Ethernet, 4 SFP (SX, LX or TX), 1 Gbe HA Interface, 2 USB (Future Use) |
| Memory (RAM) | 1 GB | 1 GB | 2 GB |
| Flash Memory | 512 MB Compact Flash | 512 MB Compact Flash | 512 MB Compact Flash |
| Power Supply | Single 250W ATX Power Supplies | Single 250W ATX Power Supplies | Dual 250W ATX, Hot Swappable |
| Fans | Dual Fans, Hot Swappable | | |
| Display | Front LCD Display | | |
| Power Input | 100-240vac, 60-50Hz | | |
| Max Power Consumption | 81 W | 90 W | 150 W |
| Total Heat Dissipation | 276 BTU | 307 BTU | 511.5 BTU |
| MTBF | 11.9 | 11.9 | 12.4 |
| Certifications | EAL4+, FIPS 140-2 Level 2, VPNC | | |
| Certifications Pending | ICSA Firewall 4.1 | | |
| Form Factor | 1U rack-mountable | | |
| Dimensions | 17 x 16.75 x 1.75 in/43.18 x 42.54 x 4.44 cm | | |
| Weight | 15.00 lbs/ 6.80 kg | 15.10 lbs/ 6.85 kg | 17.30 lbs/7.9 kg |
| WEEE Weight | 15.00 lbs/ 6.80 kg | 15.10 lbs/ 6.85 kg | 17.30 lbs/7.9 kg |
| Major Regulatory | FCC Class A, CES Class A, CE, C-Tick, VCCI, Compliance MIC, UL, cUL, TUV/GS, CB, NOM, RoHS, WEEE | | |
| Environment | 40-105° F, 5-40° C | | |
| Humidity | 10-90% non-condensing | | |

¹ Firewall and VPN throughput measured using UPD traffic adhering to RFC 2544.

² Gateway AV/Anti-Spyware/IPS throughput measured using industry standard Spirent WebAvalanche HTTP Performance test.

³ Actual maximum connection counts are lower when UTM services are enabled.

SonicWALL, Inc.

1143 Borregas Avenue
Sunnyvale CA 94089-1306

T +1 408.745.9600
F +1 408.745.9300

www.sonicwall.com



PROTECTION AT THE SPEED OF BUSINESS™